

Screws and Washers

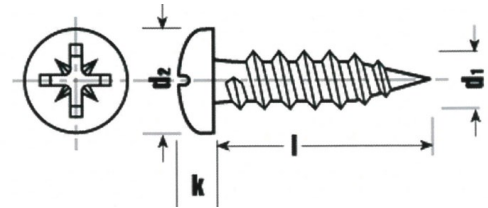
Product Description/ Specification

BS Stainless supply a wide range of stainless steel screws, the three main types are listed below with relevant dimensions. Products are sourced around the world from suppliers who meet the group's stringent quality requirements. Detailed analysis is carried out of these suppliers to ensure the quality is maintained. In addition to the sizes listed below we can also source additional types and sizes including self drilling screws. These are mainly manufactured in AISI type 304 and 316 stainless steel to following specifications:

Austenitic Stainless Steel ASTM A240/ ASTM A167/ EN 10088-5

Design:

Stainless steel pozi pan self tapping screw (DIN 7981):



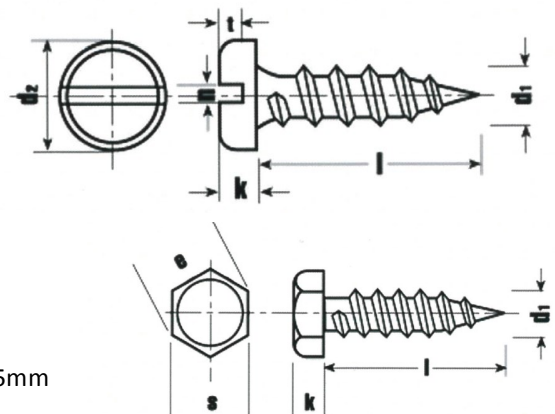
d1	(No.2) 2.2mm	(No.4) 2.9mm	(No.6) 3.5mm	(No.7) 3.8mm	(No.8) 4.2mm	(No.10) 4.8mm	(No.12) 5.5mm	(No.14) 6.3mm
d2 max	4.2	5.6	6.9	7.5	8.2	9.5	10.8	12.5
K max	1.8	2.2	2.6	2.8	3.05	3.55	3.95	4.55
Recess no	1	1	2	2	2	2	3	3

Stainless steel slotted pan head self tapping screws DIN (7971)

d1	(No.4) 2.9mm	(No.6) 3.5mm	(No.7) 3.9mm	(No.8) 4.2mm	(No.10) 4.8mm	(No.12) 5.5mm	(No.14) 6.3mm
d2 max	5.6	6.9	7.5	8.2	9.5	10.8	12.5
K max	1.75	2.1	2.25	2.45	2.8	3.2	3.65
S	0.8	1	1	1.2	1.6	1.6	1.6
t min	0.75	0.95	1.05	1.15	1.35	1.55	1.8

Stainless Steel Hexagonal Self Tapping Screw (DIN 7976)

d1	(No. 8) 4.2mm	(No.10) 4.8mm	(No.12) 5.5mm	(No.14) 6.3mm
E min	7.59	8.71	8.71	10.95
K	3	3.8	4.1	4.8
S	7	8	8	10



Standard lengths for all screws: 9.5mm, 13mm, 16mm, 19mm and 25mm

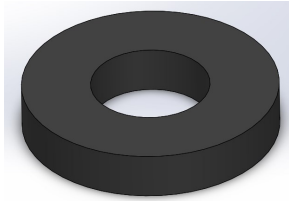


2731 ISO 9001: 2008

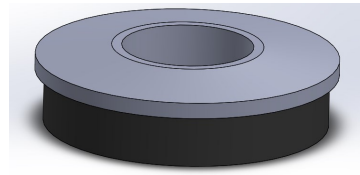


EPDM Washers

All our screws can be supplied with Neoprene, EPDM and polyamide washers. These are supplied as separate unassembled washer, with standard thickness of 2mm. We can also supply washers that are bonded to stainless steel washer and supplied assembled similar to the image below.



Un-bonded Washer



Stainless steel Bonded Washer

Quality:

We are committed to offering quality product with service which is second to none. We operate on ISO 9001 management system and all our materials are produced to meet relevant ASTM /BS EN /DIN standards. Further information on Mechanical and chemical properties of stainless steel used can be supplied on request.

Safety:

There are no known health risks in handling stainless steel, although it is recommended that gloves should be worn in case of sharp edges. Good lifting practice techniques should always be followed when handling these products.

Packaging:

Screws are normally packed in cardboard boxes in units of 250/500/1000 depending on the size. Alternative packaging can be agreed at the time of the order. Material will be packed on wooden pallets approximately 1000mm X 1100mm and shrink wrapped. Heat treated pallets will be supplied where requested.



2731 ISO 9001: 2008



BS Stainless Limited—360 Leach Place, Walton Summit, Preston, PR5 8AS T: +44 (0) 1772 337555 F: +44 (0) 1772 313010 E: info@bsstainless.com

www.bsstainless.com